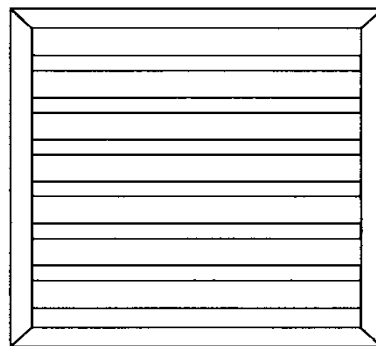
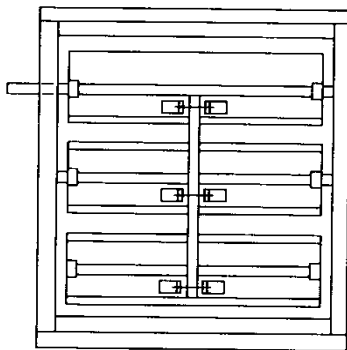


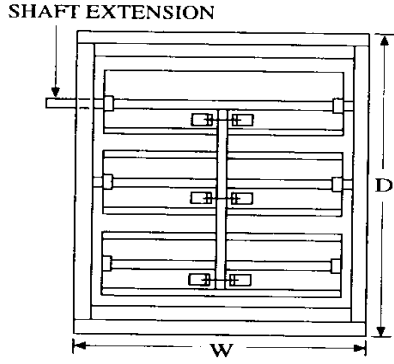


Dampers & Louvers

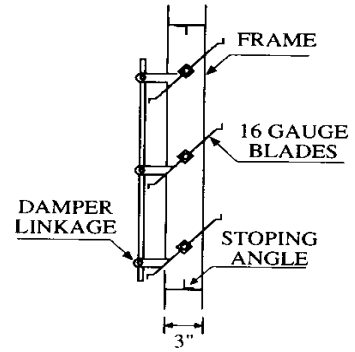
ALUMINUM, GALVANIZED, GALVANNEAL, PVC AND STAINLESS STEEL



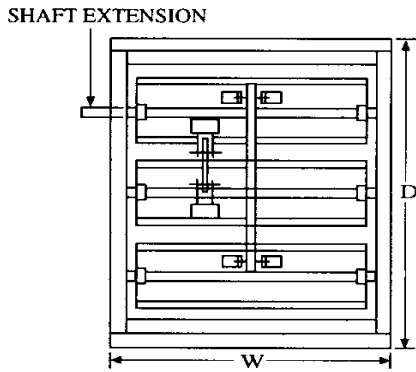
**9865 WAYNE AVENUE • CINCINNATI, OHIO 45215
PHONE (513) 733-5955 FAX (513) 733-8050**



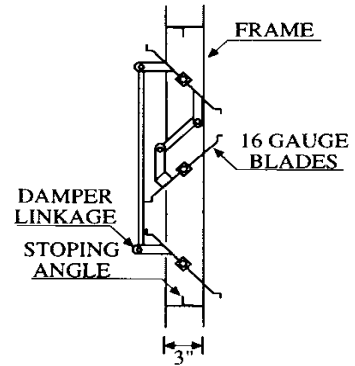
PARALLEL BLADE DAMPER



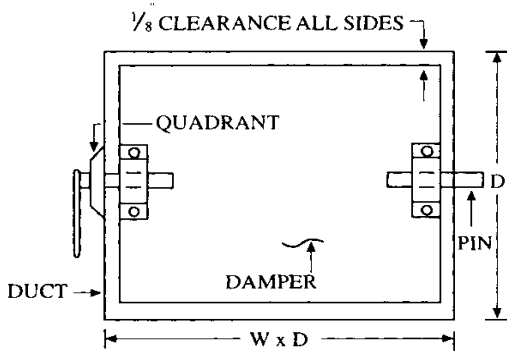
PARALLEL BLADE DAMPER
(SECTION VIEW)



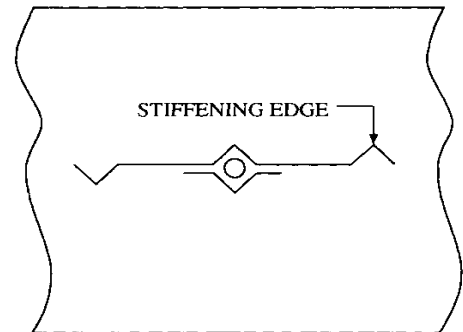
OPOSED BLADE DAMPER



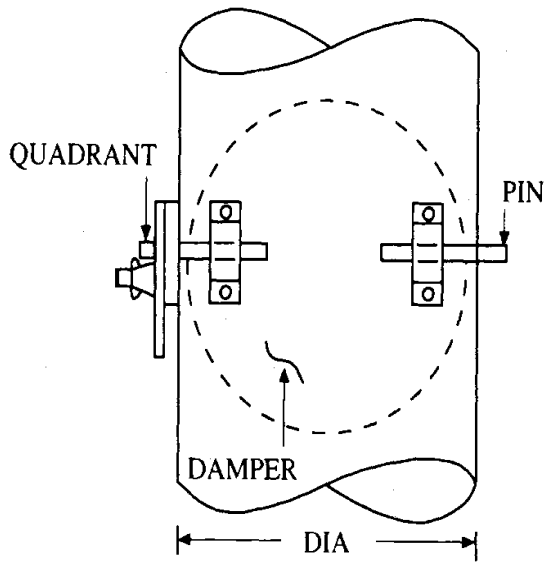
OPOSED BLADE DAMPER
(SECTION VIEW)



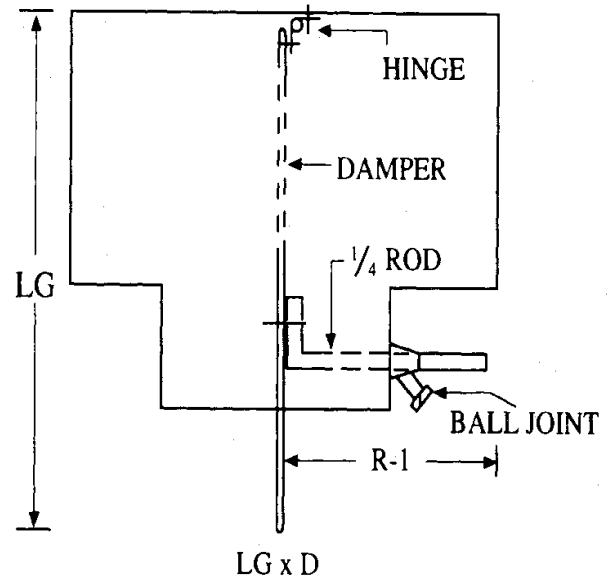
RECTANGULAR VOLUME DAMPER



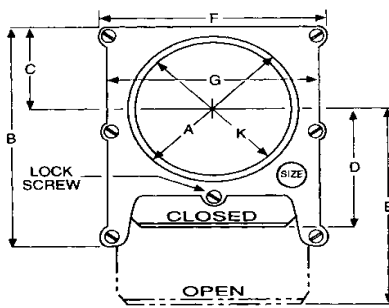
VOLUME DAMPER (SECTION)



ROUND VOLUME DAMPER

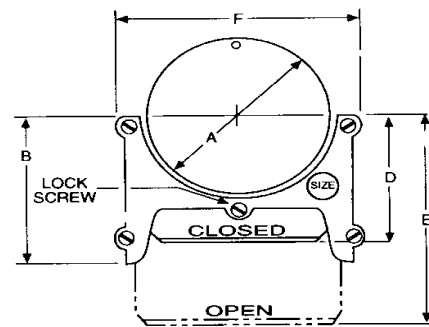


RECTANGULAR SPLITTER DAMPER



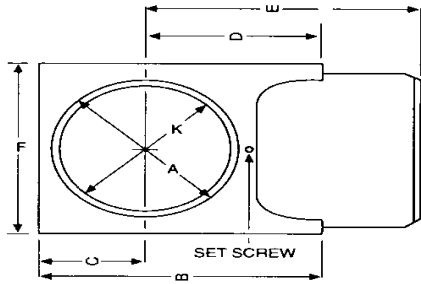
SIZE	A	B	C	D	E	F	G	H	K	L	WGT.
2"	2 3/8	4 1/2	1 3/4	2 1/2	4 1/4	4	3	15/16	2 3/16	5/16	1/2
3"	2 7/8	5 1/4	1 3/4	2 3/8	4 3/4	4	3 3/8	1 3/8	2 5/8	7/16	3/4
3 1/2"	3 3/8	6	2	3 1/4	6	4 5/8	4	1 3/16	3 1/16	3/8	1
4"	3 7/8	6 3/4	2 1/4	3 1/2	6 3/4	5	4 3/8	1 1/8	3 3/4	5/16	1
4 1/2"	4 3/8	7 3/4	2 1/2	3 3/4	7 1/2	5 3/4	5	1 1/4	4 1/16	3/8	1 1/2
5"	4 15/16	8 5/8	2 3/4	5	9 1/4	6	5 3/8	1 1/8	4 5/8	3/8	1 3/4
6"	5 15/16	10 1/4	3 1/4	5 1/4	10	7 1/4	6 1/2	1 1/2	5 5/8	3/8	2 1/4
7"	6 7/8	11 1/4	3 3/4	5 3/4	11 3/4	8	7 1/4	1 1/4	6 3/4	3/8	2 1/2
8"	7 15/16	12 5/8	4 1/4	6 3/4	14	9 5/8	8 5/8	1 3/4	7 1/2	7/16	3 3/4
9"	8 7/8	16	5	7 5/8	15 3/4	10 3/4	9 1/2	2	8 9/16	7/16	4 3/4
10"	9 15/16	17 7/8	5 3/4	7 5/8	17	11 3/4	10 1/2	2 1/8	9 1/2	9/16	7 3/4
12"	11 7/8	20 1/2	6 1/4	10 1/4	21 1/4	13 3/4	12 3/4	2 1/2	11 1/2	1/2	10 1/4
14"	13 7/8	24 3/4	7 1/2	12 1/2	25 1/2	15 3/4	14 3/4	2 3/8	13 3/8	5/8	16 1/2
16"	15 7/8	28 1/2	8 3/4	14	29	18	16 3/4	2 3/8	15 1/4	11/16	19 1/4
18"	17 7/8	32 3/4	9 1/2	14	31	20 3/8	19	3 1/2	17 3/8	1	35 1/2
20"	19 7/8	34 1/4	10 3/4	16	35	22 1/4	21	3 9/16	19 1/4	1	43

FULL CUT - OFF



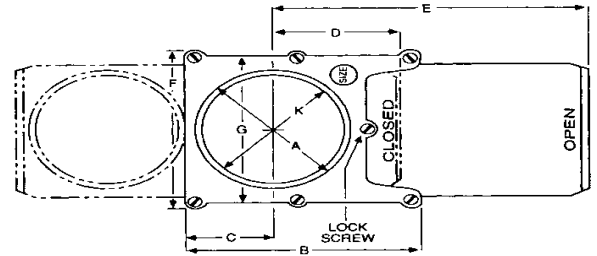
SIZE	A	B	C	D	E	F	G	H	I	WGT.
3"	3	4 1/4	3/8	3	5 3/4	4 3/8	3 1/4	1 1/8	1/2	
3 1/2"	3 1/2	4 1/2	3/8	3 1/2	6 3/4	5	3 3/4	1 1/8	3/4	
4"	4	4 3/4	3/8	3 1/2	7 1/2	5 3/8	4 1/4	1 1/8	3/4	
4 1/2"	4 1/2	5	1/2	4	8 1/4	5 7/8	4 3/4	1 1/8	1	
5"	5	5 1/4	7/16	5	8	6 1/8	5 1/4	1 1/8	1 1/4	
6"	6	5 7/8	3/8	5	10 1/2	7 1/8	6 1/4	1 1/8	1 1/2	
7"	7	6 1/4	3/8	6	13	8 1/4	7 1/4	1 3/16	1 3/4	
8"	8	6 3/4	1/2	7	14	9 3/4	8 1/4	1 1/4	1 3/4	
9"	9	8 1/2	7/16	8 1/2	17	10 3/4	9 3/8	1 1/4	2 1/2	
10"	10	11 1/2	9/16	8	18	12	10 1/2	1 3/8	4 3/4	
12"	12	12 1/2	9/16	9	21	14 1/4	12 1/2	1 3/8	6	

HALF CUT - OFF



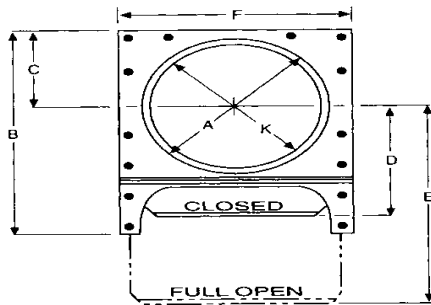
SIZE	A	B	C	D	E	F	K	H	L
2"	1 7/8	4 1/2	1 3/4	2 3/4	4 1/4	3 1/2	1 3/4	1	1/4
3"	2 7/8	6	2 1/2	3 1/2	5 1/2	5	2 3/4	1 1/4	1/4
3 1/2"	3 3/8	7	2 3/4	4 1/4	6 1/4	5 1/2	3 1/4	1 1/2	1/4
4"	3 7/8	7 1/2	3	4 1/2	7 1/4	6	3 3/4	1 1/2	1/4
4 1/2"	4 3/8	8 1/2	3 1/4	5 1/4	8 1/4	6 1/2	4 1/4	1 1/2	1/4
5"	4 7/8	9 1/2	3 1/2	6	9 1/4	7	4 3/4	1 1/2	1/4
6"	5 7/8	11	4	7	10 3/4	8	5 3/4	1 1/2	1/4
7"	6 7/8	12 1/2	4 1/2	8	12 3/4	9	6 3/4	1 1/2	1/4
8"	7 7/8	13 1/2	5	8 1/2	14 3/4	10	7 3/4	2	1/4
9"	8 7/8	15	5 1/2	9 1/2	16 1/4	11	8 1/4	2	1/4
10"	9 7/8	17	6	11	17 3/4	12	9 3/4	2	1/4
12"	11 7/8	20 1/2	7	13 1/4	22 1/4	14	11 1/4	2	1/4

FABRICATED FULL BLAST GATE 2" - 12"



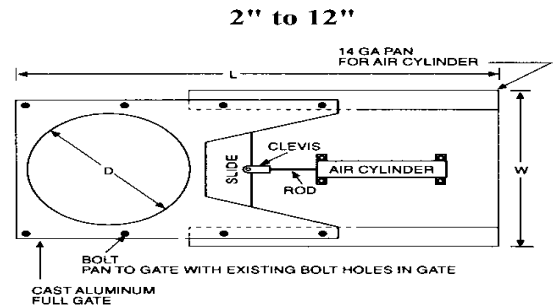
SIZE	A	B	C	D	E	F	G	H	K	L	WGT.
3"	2 7/8	5 1/4	1 3/4	4 1/2	4 3/4	4	3 3/8	1 3/8	2 5/8	7/16	1 1/2
3 1/2"	3 3/8	6	2	5 1/2	6	4 5/8	4	1 3/16	3 1/16	3/8	1 5/8
4"	3 7/8	6 3/4	2 1/4	6 1/8	6 3/4	5	4 3/8	1 1/8	3 3/4	5/16	1 3/4
4 1/2"	4 3/8	7 3/4	2 1/2	7	7 1/2	5 3/4	5	1 1/4	4 1/16	3/8	2 1/8
5"	4 15/16	8 5/8	2 3/4	7 1/2	9 1/4	6	5 3/8	1 1/8	4 5/8	3/8	2 1/2
6"	5 15/16	10 1/4	3 1/4	9	10	7 1/4	6 1/2	1 1/2	5 5/8	3/8	3 1/2
7"	6 7/8	11 1/4	3 3/4	10 1/4	11 3/4	8	7 1/4	1 1/4	6 3/4	3/8	4 1/4
8"	7 15/16	12 5/8	4 1/4	11 7/8	14	9 5/8	8 5/8	1 3/4	7 1/2	7/16	6 3/4
9"	8 7/8	16	5	13 5/8	15 3/4	10 3/4	9 1/2	2	8 9/16	7/16	9
10"	9 15/16	17 7/8	5 3/4	15 3/8	17	11 3/4	10 1/2	2 1/8	9 1/2	9/16	13
12"	11 7/8	20 1/2	6 1/4	17 7/8	21 1/4	13 3/4	12 3/4	2 1/2	11 1/2	1/2	15 1/2
14"	13 7/8	24 3/4	7 1/2	21	25 1/2	15 3/4	14 3/4	2 3/8	13 3/8	5/8	25 1/2
16"	15 7/8	28 1/2	8 3/4	24 1/8	29	18	16 3/4	2 3/8	15 1/4	11/16	35
18"	17 7/8	32 3/4	9 1/2	27	31	20 3/8	19	3 1/2	17 3/8	1	54
20"	19 7/8	34 1/4	10 3/4	30 1/8	35	22 1/4	21	3 9/16	19 1/4	1	62

SKELETON GATE SK



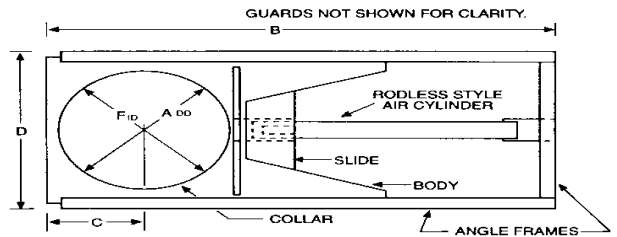
SIZE	A	B	C	D	E	F	K	H	L	WGT.
22"	21 7/8	37 1/2	12 1/2	16 1/2	37 1/2	25	21 1/2	3 1/2	1/2	112
24"	23 7/8	39 1/2	13 1/2	17 1/2	40 1/2	27	23 1/2	3 1/2	1/2	121
26"	25 7/8	41 1/2	14 1/2	18	43	29	25 1/2	3 1/2	1/2	135
28"	27 7/8	44	15 1/2	19 1/2	45 1/2	31	27 1/2	3 1/2	1/2	149
30"	29 7/8	46 1/2	16 1/2	20	49 1/2	33	29 1/2	3 1/2	1/2	165
32"	31 7/8	48	17 1/2	21	52 1/2	35	31 1/2	3 1/2	1/2	178
34"	33 7/8	48	18 1/2	22	55 1/2	37	33 1/2	3 1/2	1/2	191
36"	35 7/8	55	19 1/2	22 1/2	58 1/2	39	35 1/2	3 1/2	1/2	221
38"	37 7/8	60	20 1/2	23 1/2	61	41	37 1/2	3 1/2	1/2	245
40"	39 7/8	63	21 1/2	24 1/2	64	43	39 1/2	3 1/2	1/2	268
42"	41 7/8	66	22 1/2	25 1/2	67	45	41 1/2	3 1/2	1/2	289
44"	43 7/8	69	23 1/2	26 1/2	70	47	43 1/2	3 1/2	1/2	310
46"	45 7/8	72	24 1/2	27 1/2	73	49	45 1/2	3 1/2	1/2	333
48"	47 7/8	75	25 1/2	28 1/2	76	51	47 1/2	3 1/2	1/2	369

FABRICATED GATE SM



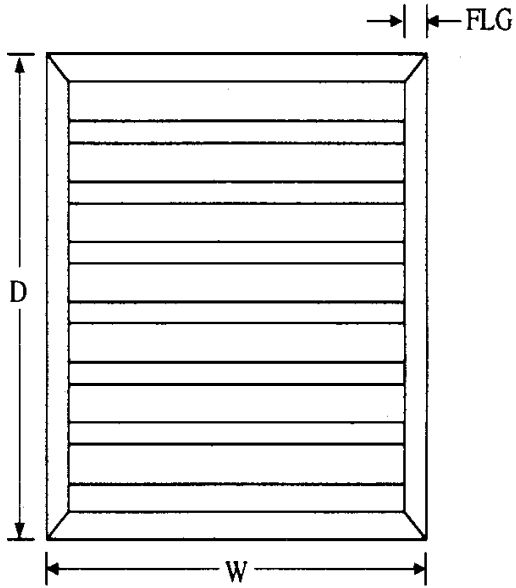
CAST ALUMINUM FULL GATE

Above 14"

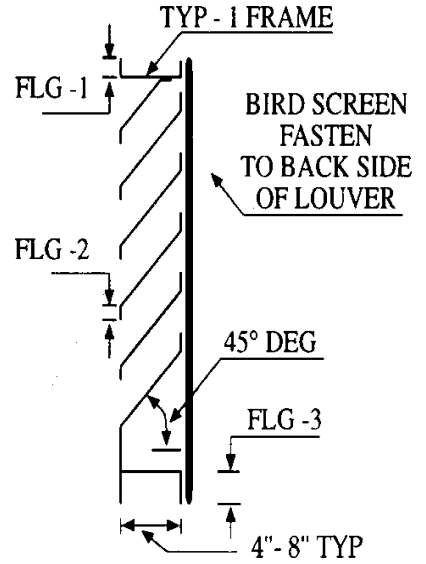


14" TO 20" IS OUR CAST ALUMINUM GATE. 21" AND ABOVE IS OUR SHEET METAL GATE.

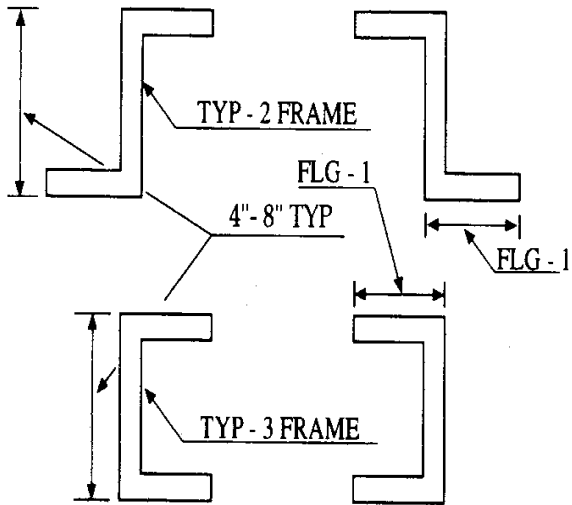
AIR OPERATED GATES



LOUVER



LOUVER DETAIL



LOUVER FRAME DETAILS

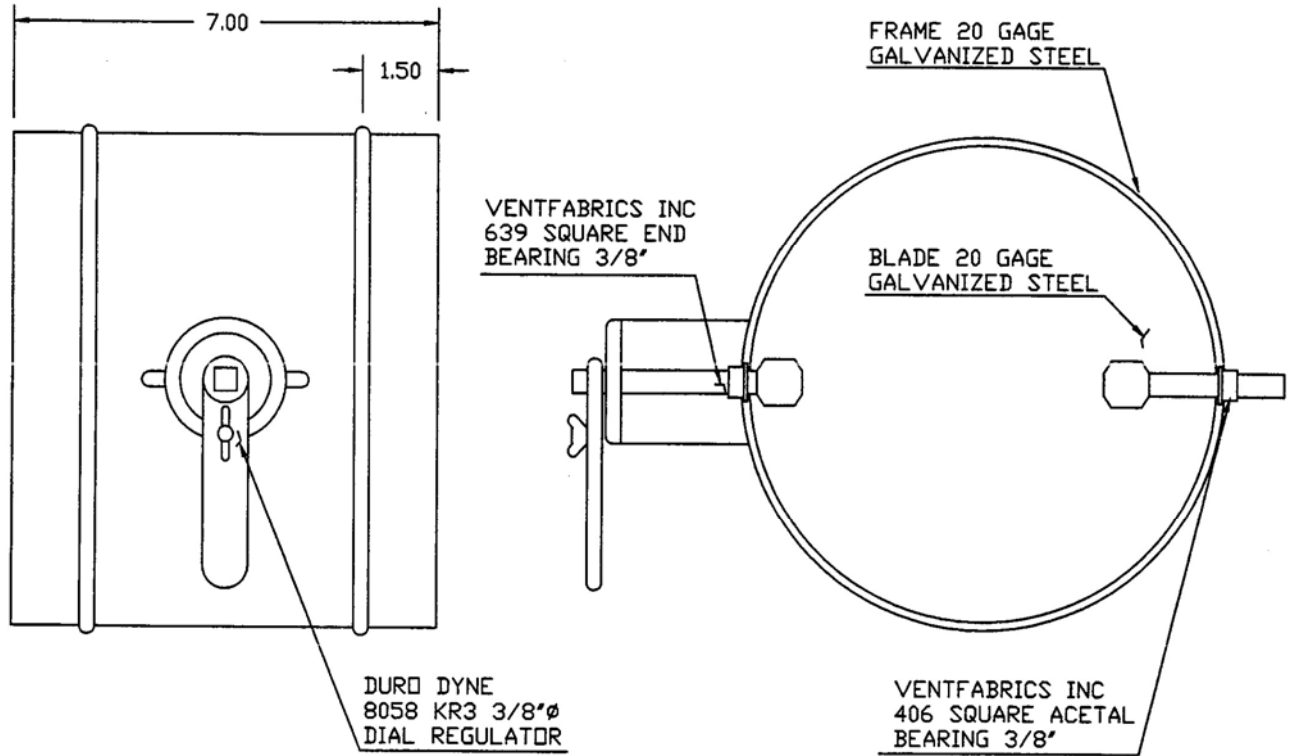
LOUVER GAUGE

1. STAINLESS STEEL & GALV. 24-16 GAUGE
2. ALUMINUM .040 - .064
3. COPPER 16 OZ - 24 OZ

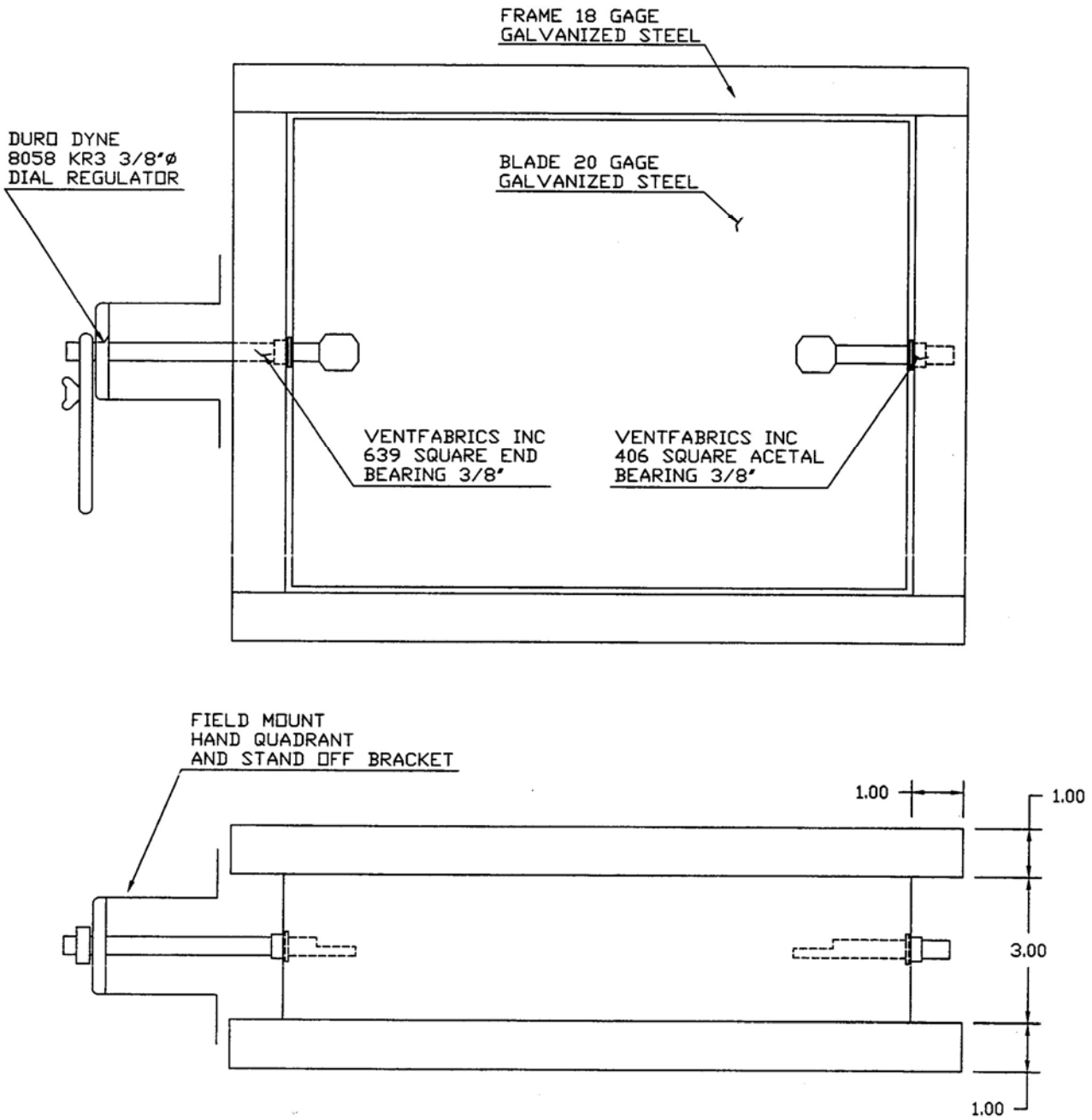
LOUVER FINISH

1. MILL FINISH
2. PAINTED (SPECIFY TYP & COLOR OF PAINT)

LOUVER SPECIFICATION



ROUND DAMPER



RECTANGULAR DAMPER